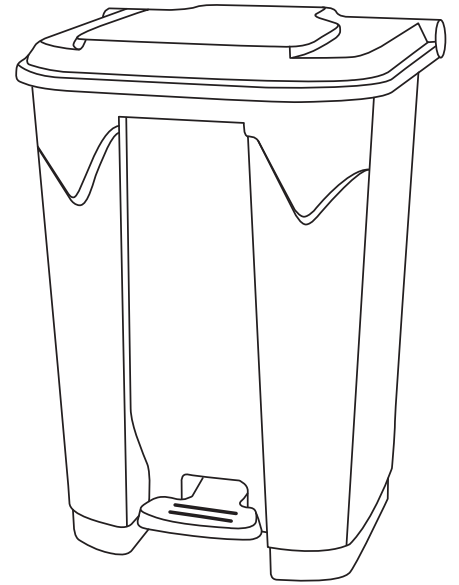
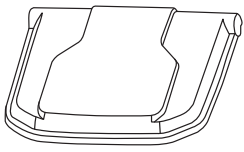


Pedal Bin Assembly Instructions

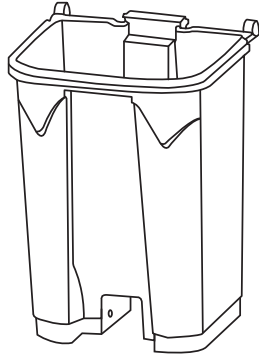
For 30L, 50L, 80L and 100L Bins



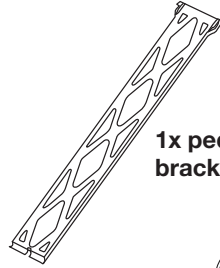
Parts List:



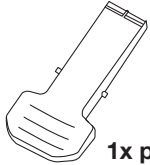
1x lid



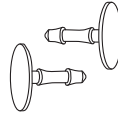
1x bin base



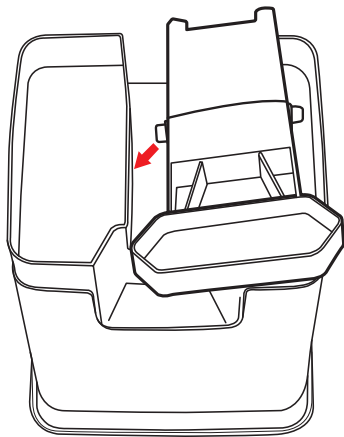
1x pedal bracket



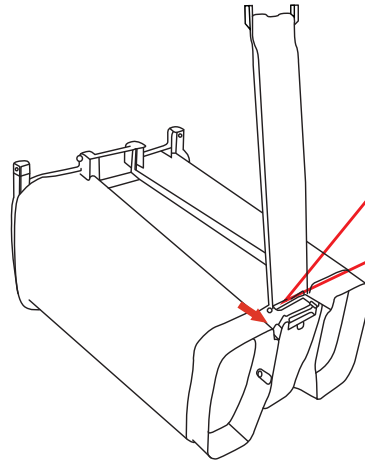
1x pedal



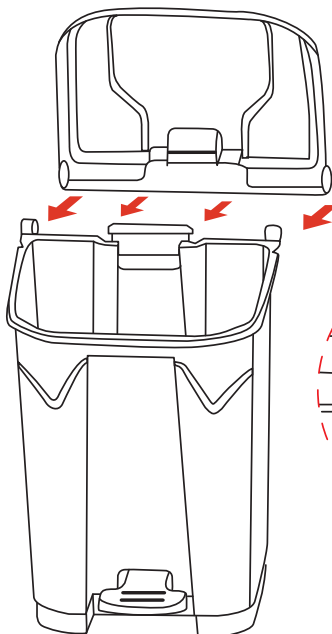
2x lid pins



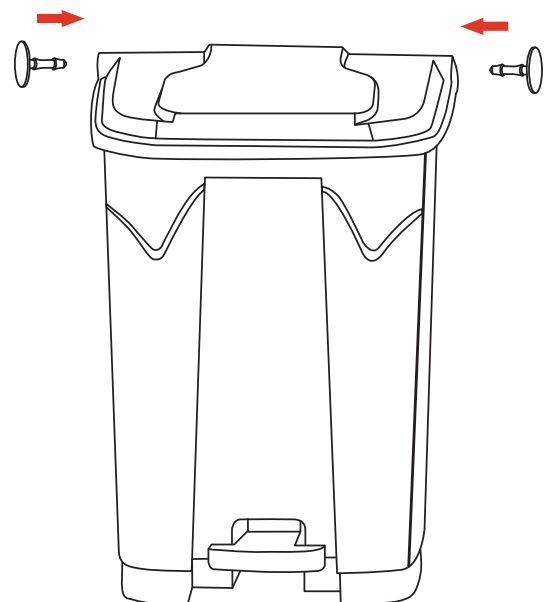
Step 1. Flip the bin over and fit the pedal into the base



Step 2. Flip the bin over and fit the pedal bracket to the pedal at the base of the bin, and into the grooves at the top of the bin.



Step 3. Slide the lid into place, making sure the centre holes are clicked onto the pedal bar.



Step 4. Insert the two lid pins to secure the lid in place.