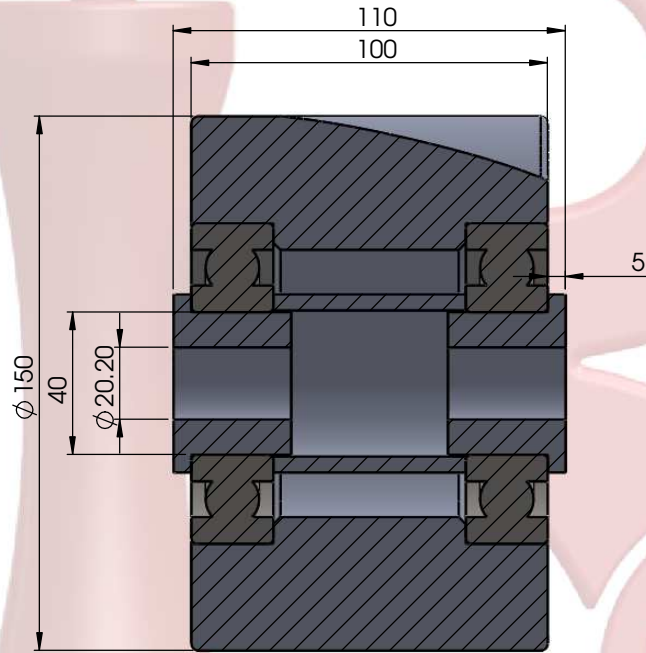
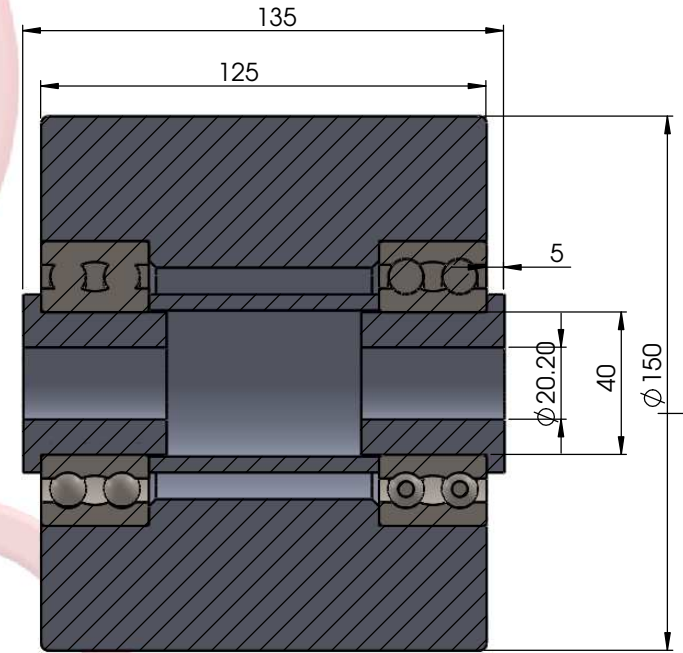


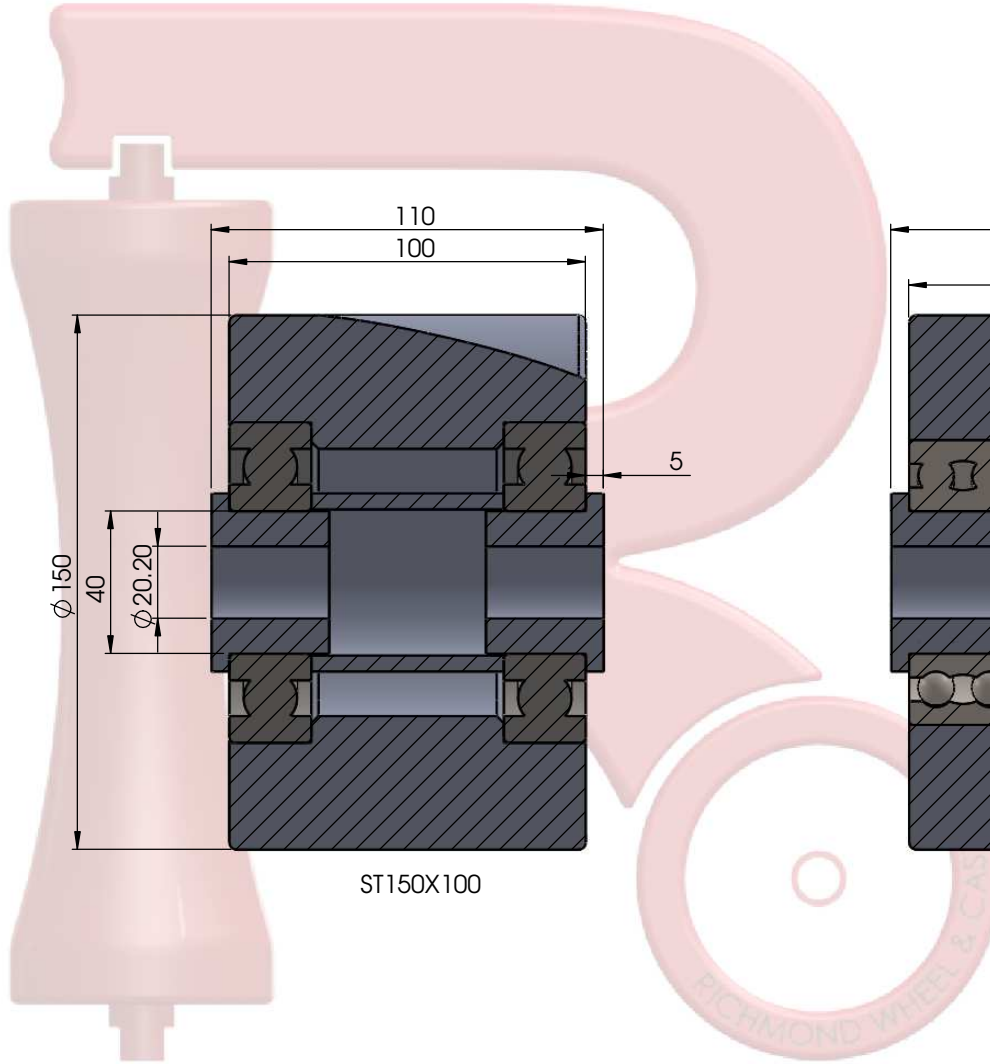
ST150X75



ST150X100



ST150X125



**CUSTOMER APPROVAL:**

COMPANY: \_\_\_\_\_  
 SALES PERSON: \_\_\_\_\_  
 NAME: \_\_\_\_\_  
 SIGN: \_\_\_\_\_  
 DATE: \_\_\_\_\_

DO NOT SCALE DRAWING    REVISION    FINISH:

**PROPRIETARY AND CONFIDENTIAL**  
 THE INFORMATION CONTAINED IN THIS DRAWING IS THE SOLE PROPERTY OF Richmond Wheel & Castor Co. ANY REPRODUCTION IN PART OR AS A WHOLE WITHOUT THE WRITTEN PERMISSION OF Richmond Wheel & Castor Co. IS PROHIBITED.

	NAME	SIGNATURE	DATE
DRAWN	BREON	BWM	9/10/2019
CHK'D	SY	SY	9/10/2019
APP'VD	RAY	RW	9/10/2019
MFG	SY	SY	9/10/2019
Q.A	BARRY	BN	9/10/2019

UNLESS OTHERWISE SPECIFIED:  
 DIMENSIONS ARE IN MILLIMETERS  
 TOLERANCES TO 0.25MM

DEBUR AND  
 BREAK SHARP  
 EDGES



TITLE:  
**RICHMOND WHEEL &  
 CASTOR CO.**

DWG. NO.    **SOLID STEEL WHEELS 150MM**    A3

WEIGHT:

SHEET 1 OF 1