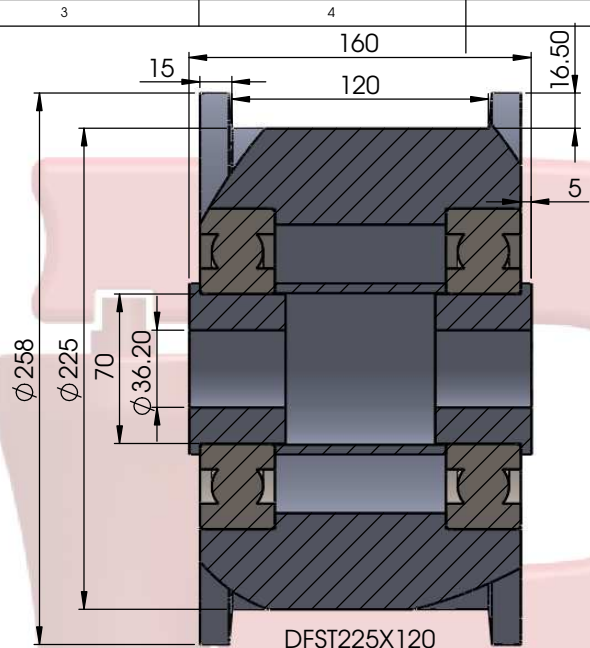
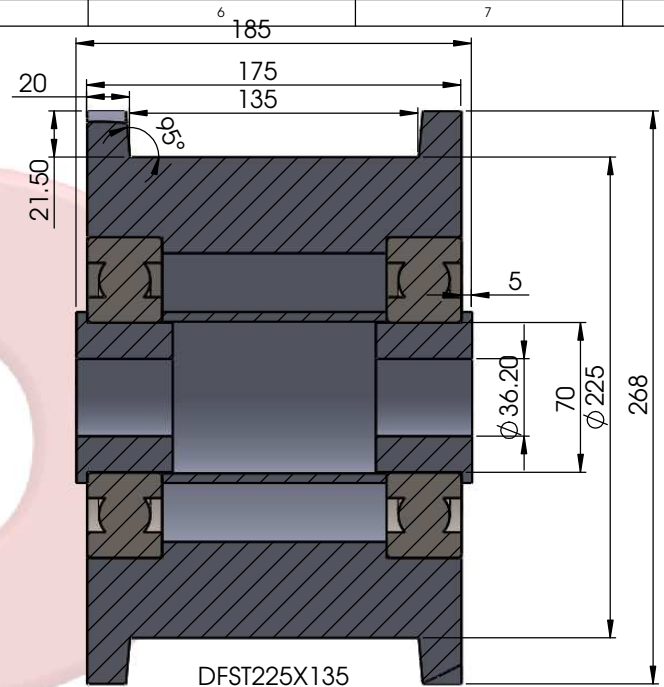


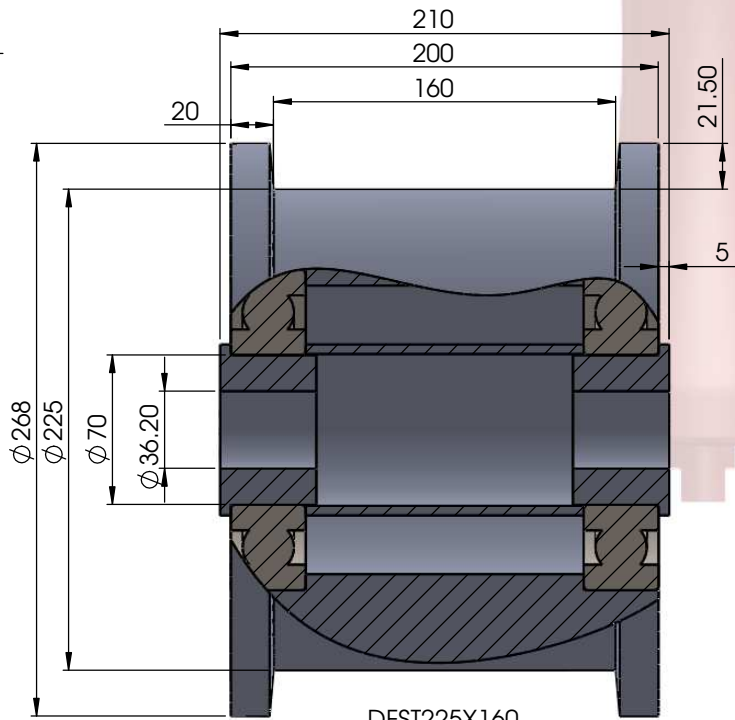
DFST225X70



DFST225X120  
150



DFST225X135



DFST225X160

**PROPRIETARY AND CONFIDENTIAL**  
THE INFORMATION CONTAINED IN THIS DRAWING IS THE SOLE PROPERTY OF Richmond Wheel & Castor Co. ANY REPRODUCTION IN PART OR AS A WHOLE WITHOUT THE WRITTEN PERMISSION OF Richmond Wheel & Castor Co. IS PROHIBITED.

|  | NAME  | SIGNATURE                   | DATE       |
|--|-------|-----------------------------|------------|
| DRAWN  | BREON | BWM                         | 16/10/2019 |
| CHKD   | SY    | SY                          | 16/10/2019 |
| APPVD  | RAY   | RW                          | 16/10/2019 |
| MFG  | SY    | SY                          | 16/10/2019 |
| Q.A  | BARRY | BN                          | 16/10/2019 |
| UNLESS OTHERWISE SPECIFIED: DIMENSIONS ARE IN MILLIMETERS TOLERANCES TO 0.25MM |       | DEBUR AND BREAK SHARP EDGES |            |



**CUSTOMER APPROVAL:**

|                      |          |         |
|----------------------|----------|---------|
| COMPANY:             |          |         |
| SALES PERSON:        |          |         |
| NAME:                |          |         |
| SIGN:                |          |         |
| DATE:                |          |         |
| DO NOT SCALE DRAWING | REVISION | FINISH: |

TITLE:  
**RICHMOND WHEEL & CASTOR CO.**  
DWG NO: **SOLID STEEL DOUBLE FLANGE WHEELS 225MM**

A3

WEIGHT:

SHEET 9 OF 13