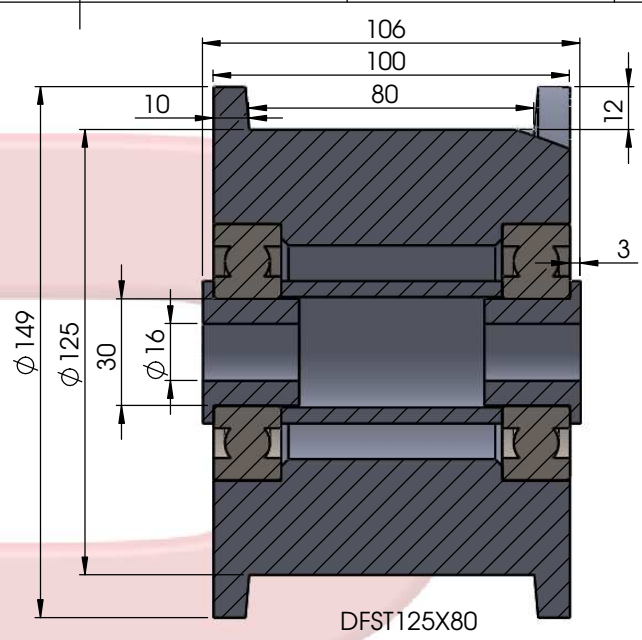
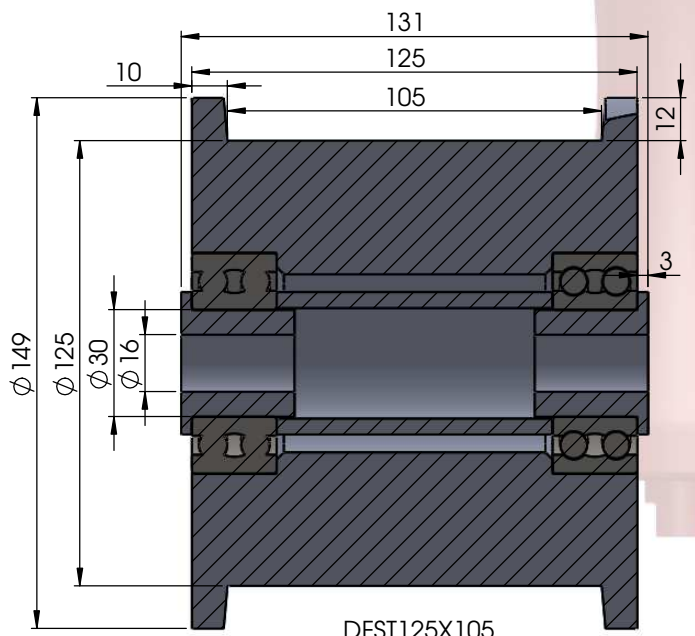


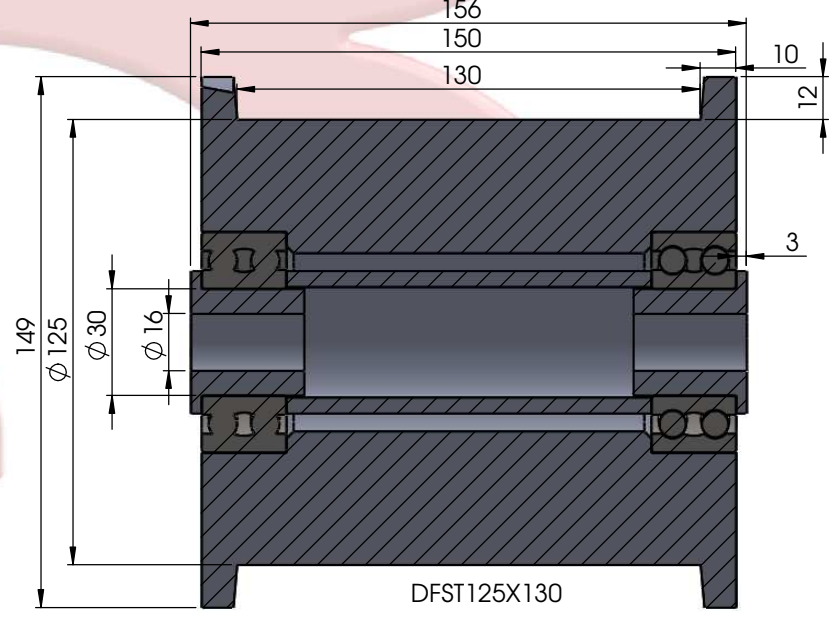
DFST125X55



DFST125X80



DFST125X105



DFST125X130

CUSTOMER APPROVAL:

COMPANY: _____

SALES PERSON: _____

NAME: _____

SIGN: _____

DATE: _____

DO NOT SCALE DRAWING REVISION FINISH:

	NAME	SIGNATURE	DATE
DRAWN	BREON	BWM	15/10/2019
CHKD	SY	SY	15/10/2019
APPVD	RAY	RW	15/10/2019
MFG	SY	SY	15/10/2019
Q.A	BARRY	BN	15/10/2019

UNLESS OTHERWISE SPECIFIED:
DIMENSIONS ARE IN MILLIMETERS
TOLERANCES TO 0.25MM

DEBUR AND
BREAK SHARP
EDGES



TITLE:

RICHMOND WHEEL & CASTOR CO.

DWG. NO. **SOLID STEEL WHEELS 125MM** A3

PROPRIETARY AND CONFIDENTIAL
THE INFORMATION CONTAINED IN THIS DRAWING IS THE SOLE PROPERTY OF Richmond Wheel & Castor Co. ANY REPRODUCTION IN PART OR AS A WHOLE WITHOUT THE WRITTEN PERMISSION OF Richmond Wheel & Castor Co. IS PROHIBITED.

WEIGHT: