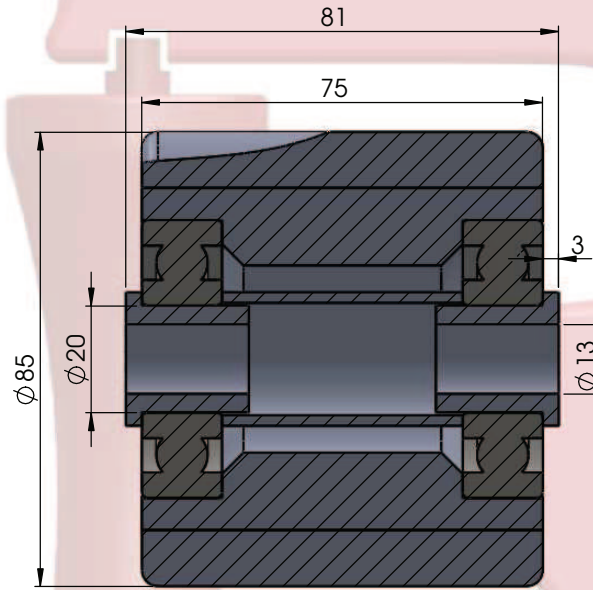
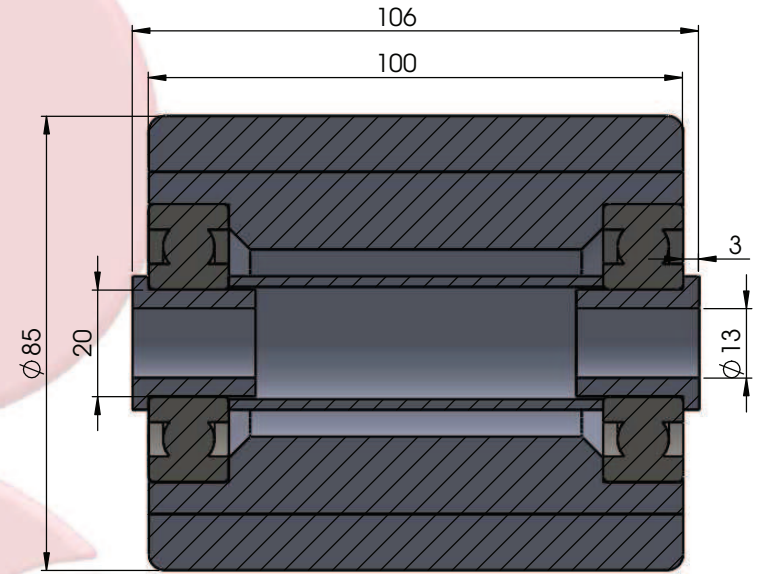


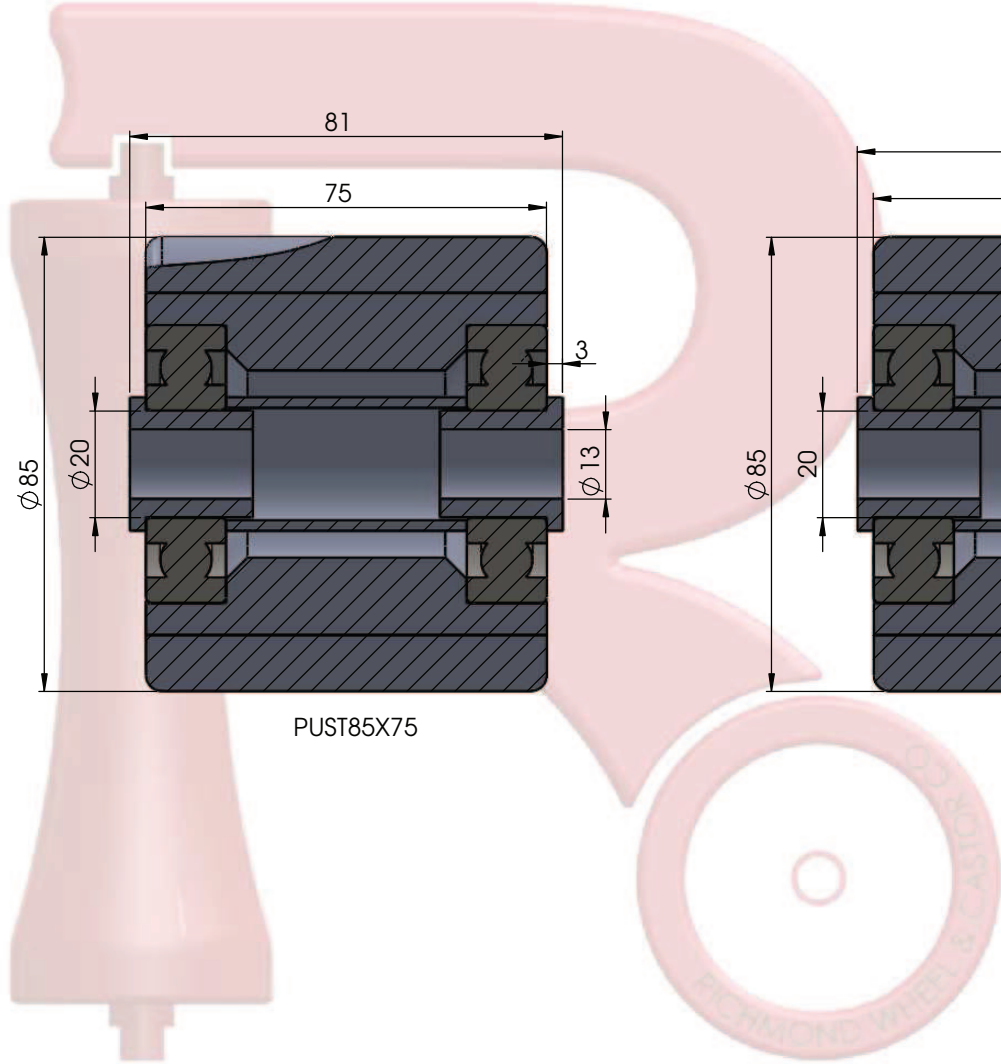
PUST85X50



PUST85X75



PUST85X100



**CUSTOMER APPROVAL:**

COMPANY: \_\_\_\_\_  
 SALES PERSON: \_\_\_\_\_  
 NAME: \_\_\_\_\_  
 SIGN: \_\_\_\_\_  
 DATE: \_\_\_\_\_

DO NOT SCALE DRAWING	REVISION	FINISH:
----------------------	----------	---------

**PROPRIETARY AND CONFIDENTIAL**  
 THE INFORMATION CONTAINED IN THIS DRAWING IS THE SOLE PROPERTY OF Richmond Wheel & Castor Co. ANY REPRODUCTION IN PART OR AS A WHOLE WITHOUT THE WRITTEN PERMISSION OF Richmond Wheel & Castor Co. IS PROHIBITED.

	NAME	SIGNATURE	DATE
DRAWN	BREON	BWM	14/10/2019
CHKD	SY	SY	14/10/2019
APPVD	RAY	RW	14/10/2019
MFG	SY	SY	14/10/2019
Q.A	BARRY	BN	14/10/2019

UNLESS OTHERWISE SPECIFIED: DIMENSIONS ARE IN MILLIMETERS TOLERANCES TO 0.25MM

DEBUR AND BREAK SHARP EDGES



TITLE:  
**RICHMOND WHEEL & CASTOR CO.**

DWG. NO. PU TYRED STEEL CENTRE WHEELS 85MM

A3

WEIGHT:

SHEET 2 OF 13