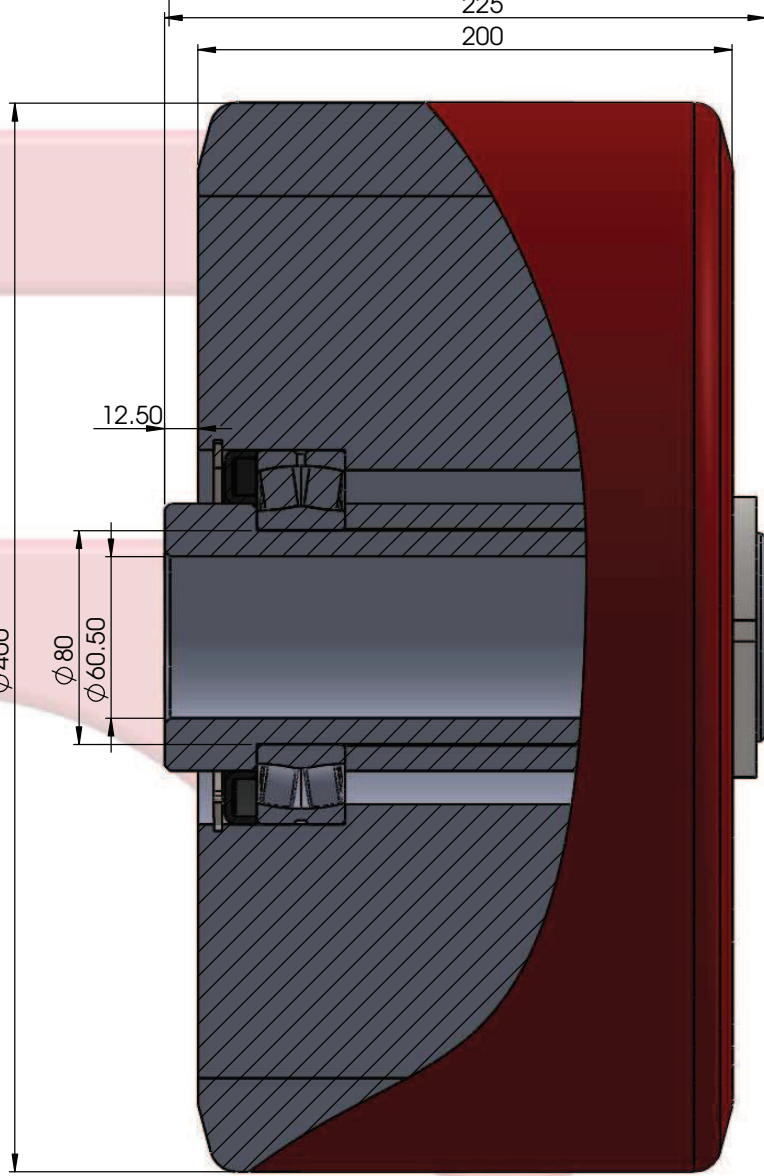


PUST400X150



PUST400X200

**CUSTOMER APPROVAL:**

COMPANY: \_\_\_\_\_

SALES PERSON: \_\_\_\_\_

NAME: \_\_\_\_\_

SIGN: \_\_\_\_\_

DATE: \_\_\_\_\_

DO NOT SCALE DRAWING    REVISION    FINISH:

**PROPRIETARY AND CONFIDENTIAL**  
 THE INFORMATION CONTAINED IN THIS DRAWING IS THE SOLE PROPERTY OF Richmond Wheel & Castor Co. ANY REPRODUCTION IN PART OR AS A WHOLE WITHOUT THE WRITTEN PERMISSION OF Richmond Wheel & Castor Co. IS PROHIBITED.

	NAME	SIGNATURE	DATE
DRAWN	BREON	BWM	14/10/2019
CHKD	SY	SY	14/10/2019
APPVD	RAY	RW	14/10/2019
MFG	SY	SY	14/10/2019
Q.A	BARRY	BN	14/10/2019
UNLESS OTHERWISE SPECIFIED: DIMENSIONS ARE IN MILLIMETERS TOLERANCES TO 0.25MM		DEBUR AND BREAK SHARP EDGES	



TITLE: **RICHMOND WHEEL & CASTOR CO.**

DWG NO. PU TYRED STEEL CENTRE WHEELS 400MM

A3