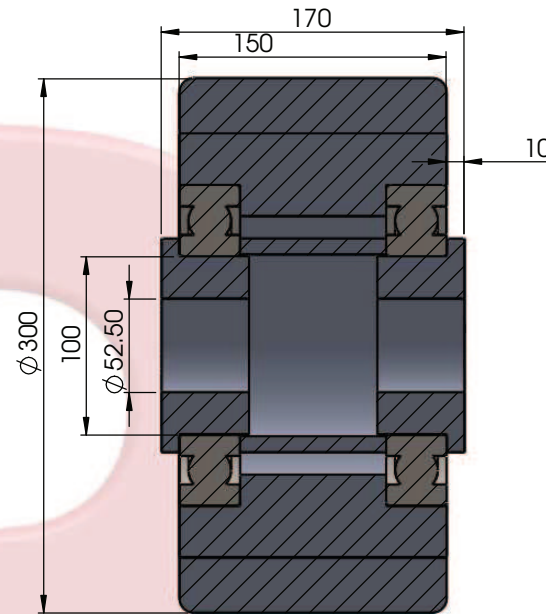
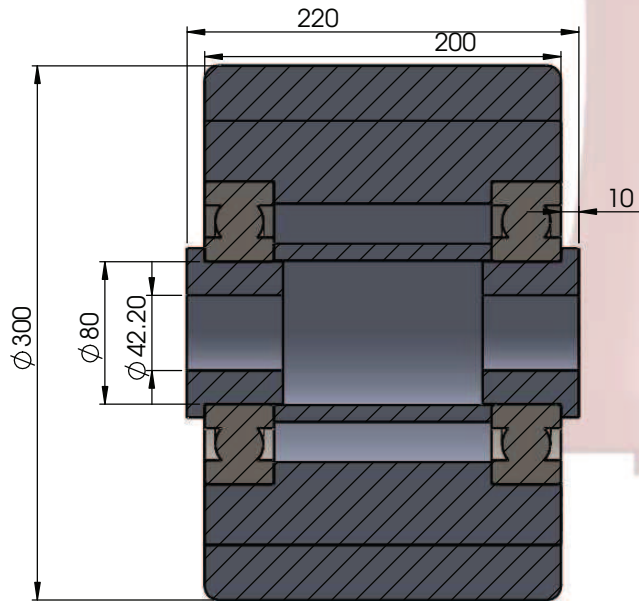


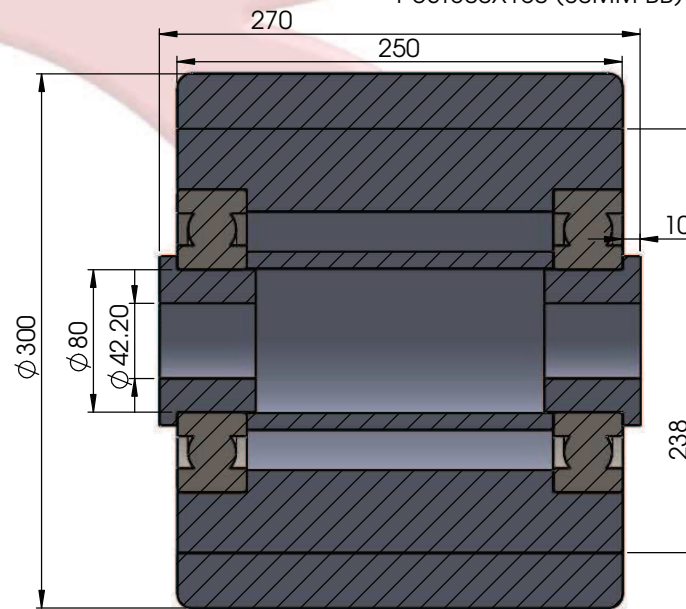
PUST300X125 (80MM BB)



PUST300X150 (80MM BB)



PUST300X200 (80MM BB)



PUST300X250 (80MM BB)

CUSTOMER APPROVAL:

COMPANY:
SALES PERSON:
NAME:
SIGN:
DATE:

DO NOT SCALE DRAWING	REVISION	FINISH:
----------------------	----------	---------

PROPRIETARY AND CONFIDENTIAL
 THE INFORMATION CONTAINED IN THIS DRAWING IS THE SOLE PROPERTY OF Richmond Wheel & Castor Co. ANY REPRODUCTION IN PART OR AS A WHOLE WITHOUT THE WRITTEN PERMISSION OF Richmond Wheel & Castor Co. IS PROHIBITED.

	NAME	SIGNATURE	DATE
DRAWN	BREON	BWM	14/10/2019
CHKD	SY	SY	14/10/2019
APPVD	RAY	RW	14/10/2019
MPG	SY	SY	14/10/2019
Q.A	BARRY	BN	14/10/2019

UNLESS OTHERWISE SPECIFIED: DIMENSIONS ARE IN MILLIMETERS TOLERANCES TO 0.25MM

DEBUR AND BREAK SHARP EDGES



TITLE:
RICHMOND WHEEL & CASTOR CO.

DWG NO. PU TYRED STEEL CENTRE WHEELS 300MM A3

WEIGHT:

SHEET 10 OF 13