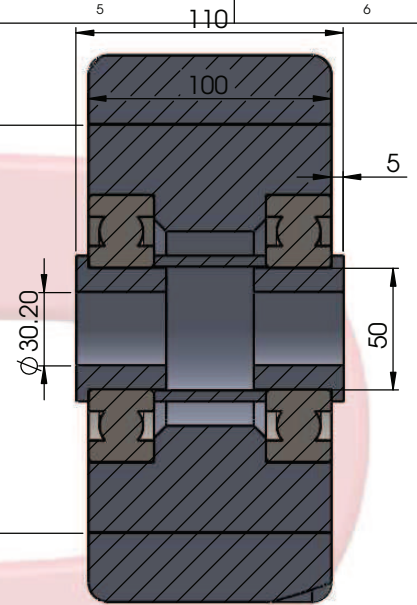
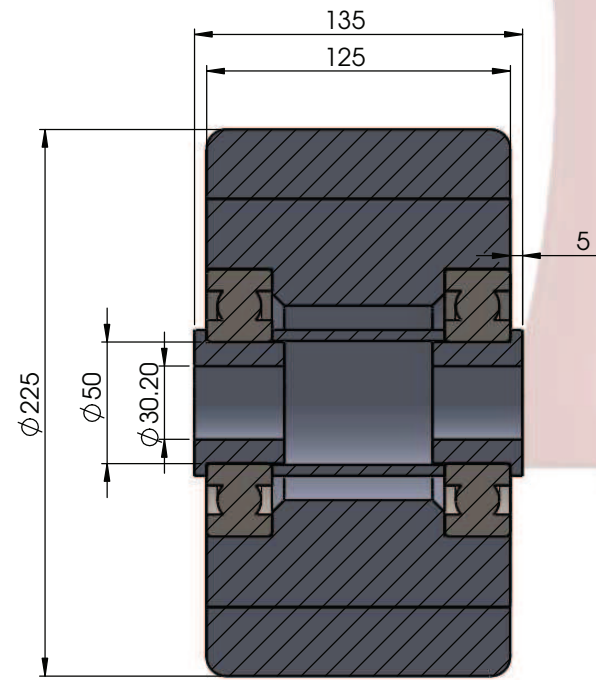


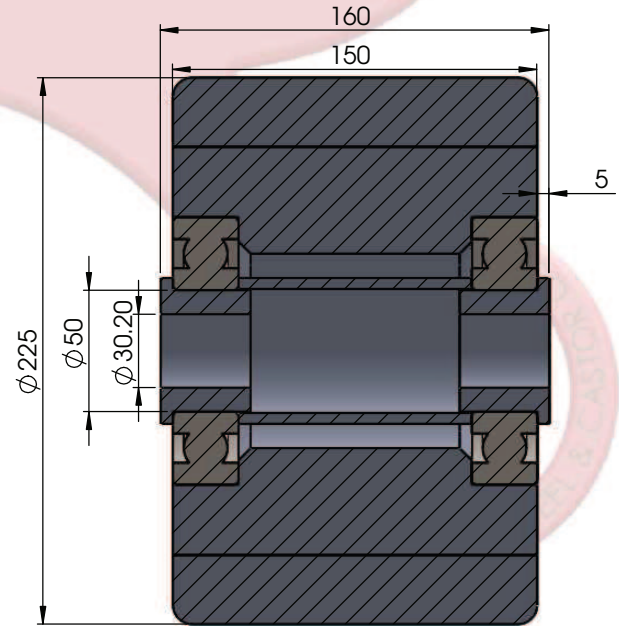
PUST1225X75



PUST1225X100



PUST1225X125



PUST1225X150

PROPRIETARY AND CONFIDENTIAL
 THE INFORMATION CONTAINED IN THIS DRAWING IS THE SOLE PROPERTY OF Richmond Wheel & Castor Co. ANY REPRODUCTION IN PART OR AS A WHOLE WITHOUT THE WRITTEN PERMISSION OF Richmond Wheel & Castor Co. IS PROHIBITED.

	NAME	SIGNATURE	DATE
DRAWN	BREON	BWM	14/10/2019
CHKD	SY	SY	14/10/2019
APPVD	RAY	RW	14/10/2019
MFG	SY	SY	14/10/2019
Q.A	BARRY	BN	14/10/2019

UNLESS OTHERWISE SPECIFIED: DIMENSIONS ARE IN MILLIMETERS TOLERANCES TO 0.25MM

DEBUR AND BREAK SHARP EDGES



CUSTOMER APPROVAL:

COMPANY: _____
 SALES PERSON: _____
 NAME: _____
 SIGN: _____
 DATE: _____

DO NOT SCALE DRAWING	REVISION	FINISH:
----------------------	----------	---------

TITLE:
RICHMOND WHEEL & CASTOR CO.

DWG NO. PU TYRED STEEL CENTRE WHEELS 225MM A3