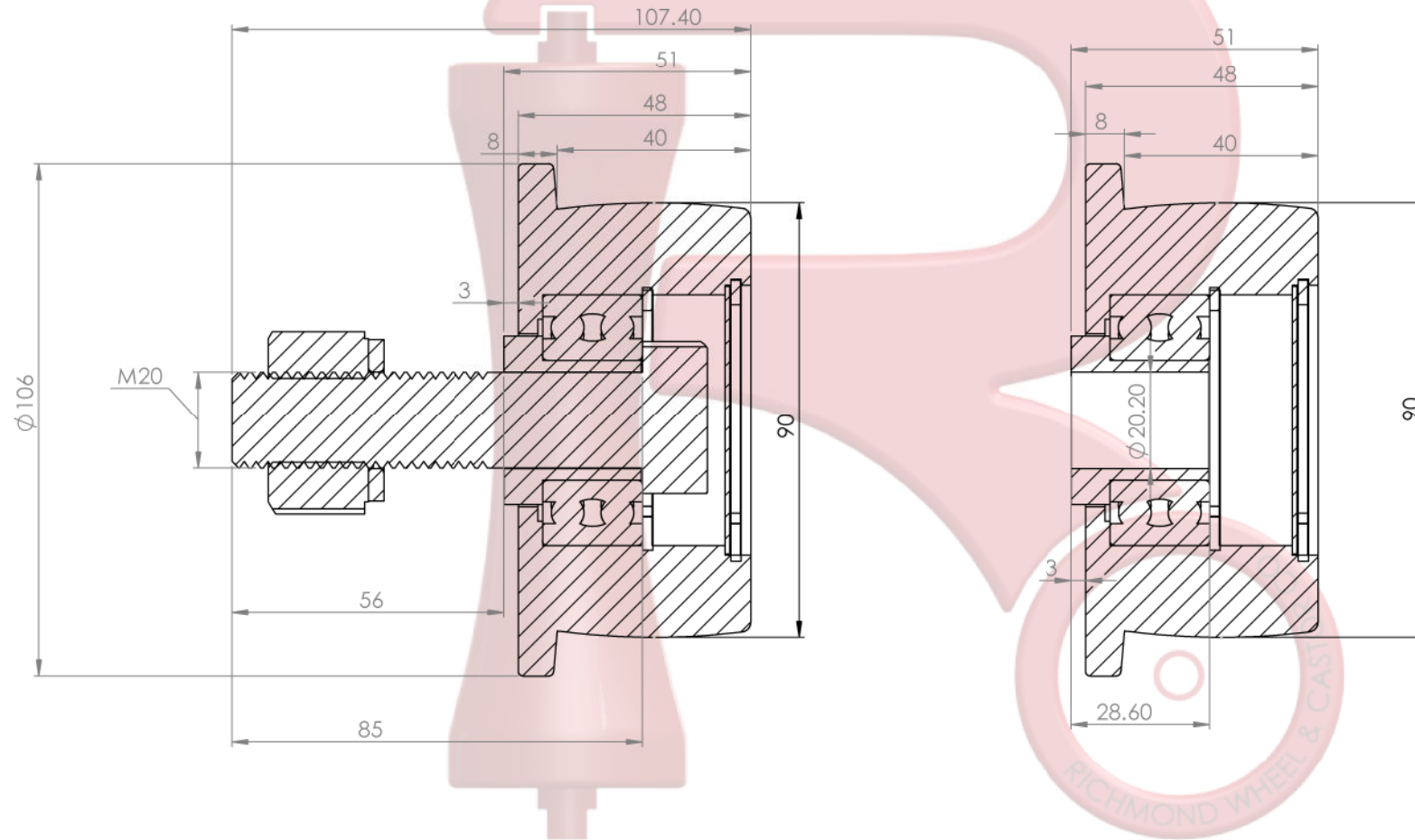


As supplied with standard
M20x85 8.8 commercial bolt

Dimensions without bolt
"Size your M20 8.8 bolt length
to suit your application"



Capacity: 600kg

CUSTOMER APPROVAL:

COMPANY:

SALES PERSON:

NAME:

SIGN:

DATE:

DO NOT SCALE DRAWING REVISION FINISH:

PROPRIETARY AND CONFIDENTIAL
THE INFORMATION CONTAINED IN THIS DRAWING
IS THE SOLE PROPERTY OF
Richmond Wheel & Castor Co.
ANY REPRODUCTION IN PART OR AS A WHOLE WITHOUT
THE WRITTEN PERMISSION OF
Richmond Wheel & Castor Co.
IS PROHIBITED.

	NAME	SIGNATURE	DATE
DRAWN	BREON	BWM	8/11/2019
CHK'D	SY	SY	8/11/2019
APP'VD	RAY	RW	8/11/2019
MFG	SY	SY	8/11/2019
Q.A	BARRY	BN	8/11/2019

UNLESS OTHERWISE SPECIFIED:
DIMENSIONS ARE IN MILLIMETERS
TOLERANCES TO ±.25MM

DEBUR AND
BREAK SHARP
EDGES



WEIGHT:

TITLE:

**RICHMOND WHEEL &
CASTOR CO.**

DWG NO.

BTSF90X40M20

A3

SHEET 3 OF 11